

# CONTROLS





# Digital Industrial Paging Intercom System DT00



## Products description and application

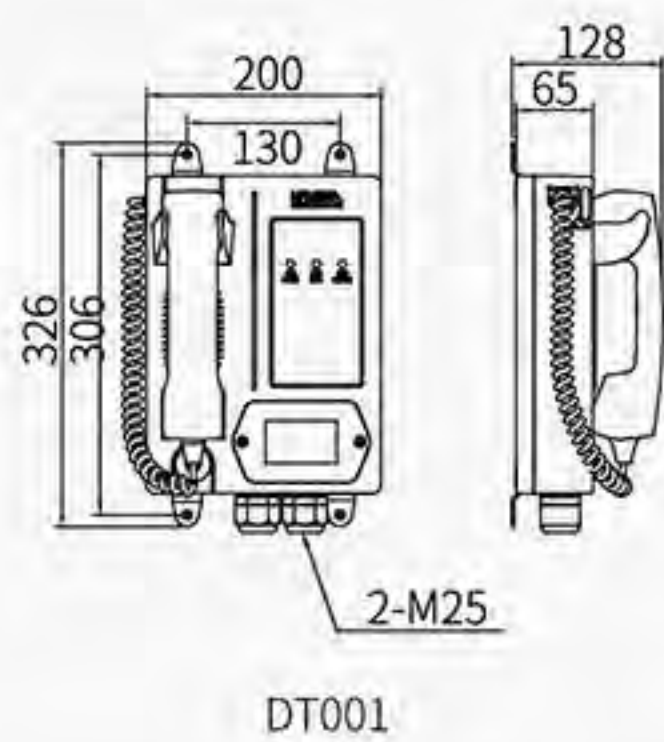
Digital intercom is network communication system designed for harsh environments and work sites with strong EMI, like port, power plant, mining, chemical plant, hoisting machinery, railway tunnel, Steel and Iron Works, etc.

## Features

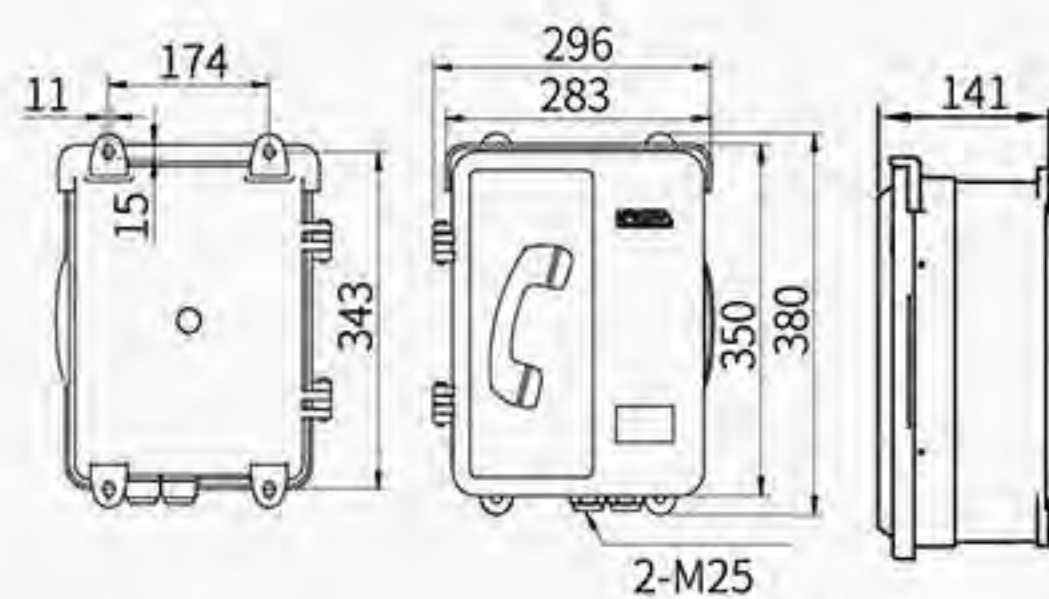
- Use more than 1.5mm<sup>2</sup> non-shielded cable for system networking, easy installation and retrofitting.
- OFDM jamming technology ensures EMC and anti-jamming capability.
- PCM digital processing technology, using lossless data compression, no sound quality loss, clear voice transmission.
- Support three parties calling/ broadcasting in the sometime.
- Point-to-point, cascade, distributed network connection is optional.

## Mounting dimension

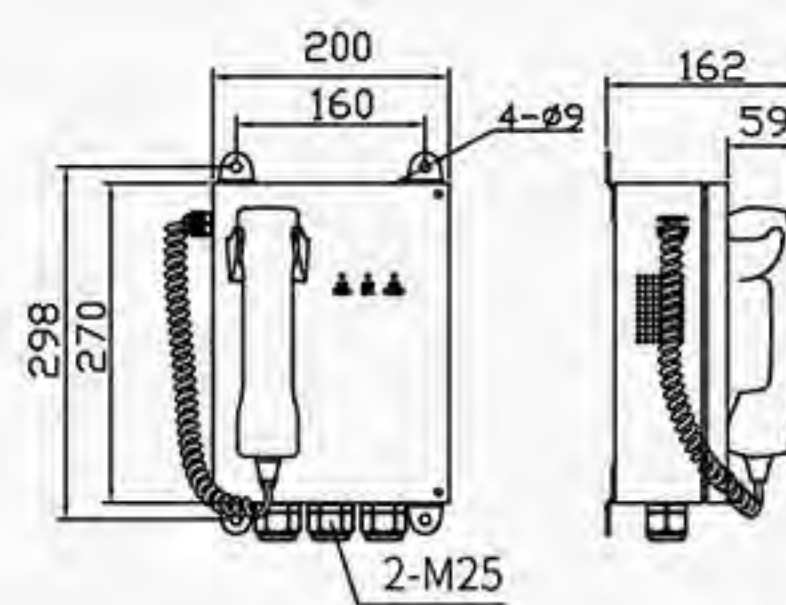
unit: mm



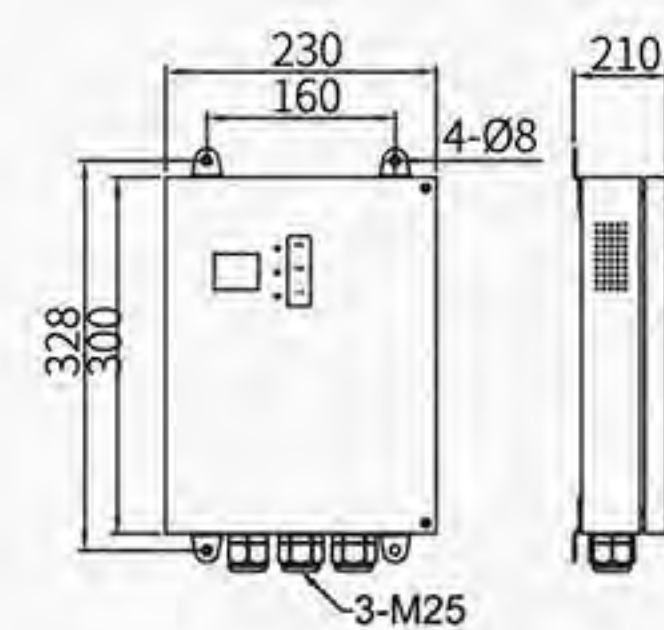
DT001



DT002



DT003



DT004

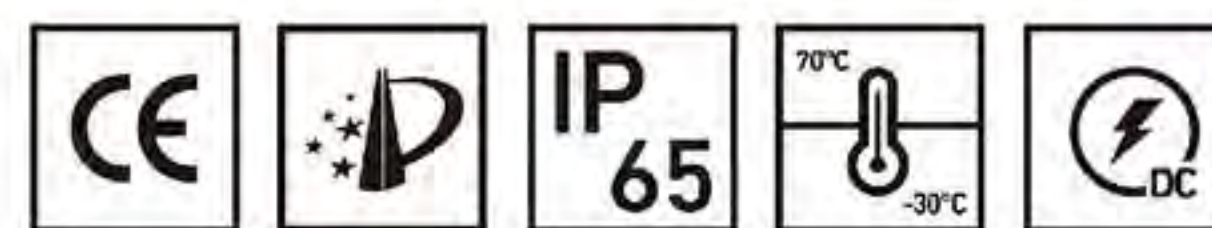


## Specification

Operating voltage	DC24V
Power supply voltage	AC110V±10% / AC220V±10% (Power supply DT004)
Communication distance	Set the DT004 Power supply as circle center, maximum radius is 400m
Running mode	Long-term
Operating temperature	-30°C ~ +70°C
Relative humidity	10%-95% (non condensing)
IP rate	IEC60529 IP65 (Outdoor station DT002)
Backup power	DC24V (provide by customer)
Networking quantity	Standard for 8 stations, maximum 20 stations
Power	System power comes from DT004 power supply
Material, Weight	DT001 ABS 1.8kg DT002 PC/ABS 3.8kg DT003 Cold rolled steel/ powder coating 3.5kg DT004 Cold rolled steel/ powder coating 3.8kg



# Digital Industrial Paging Intercom System DT20 (Dial function)



## Products description and application

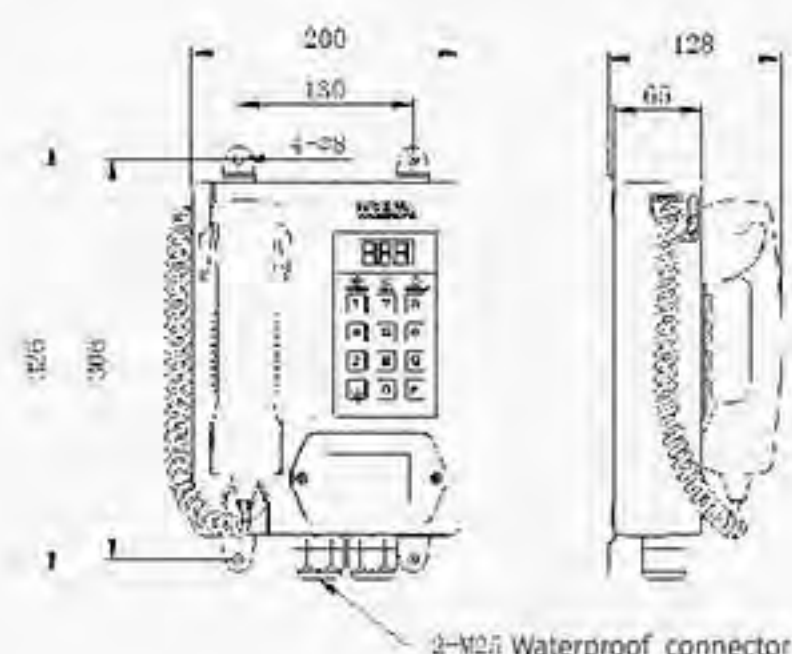
Digital intercom is network communication system designed for harsh environments and work sites with strong EMI, like port, power plant, mining, chemical plant, hoisting machinery, railway tunnel, Steel and Iron Works, etc.

## Features

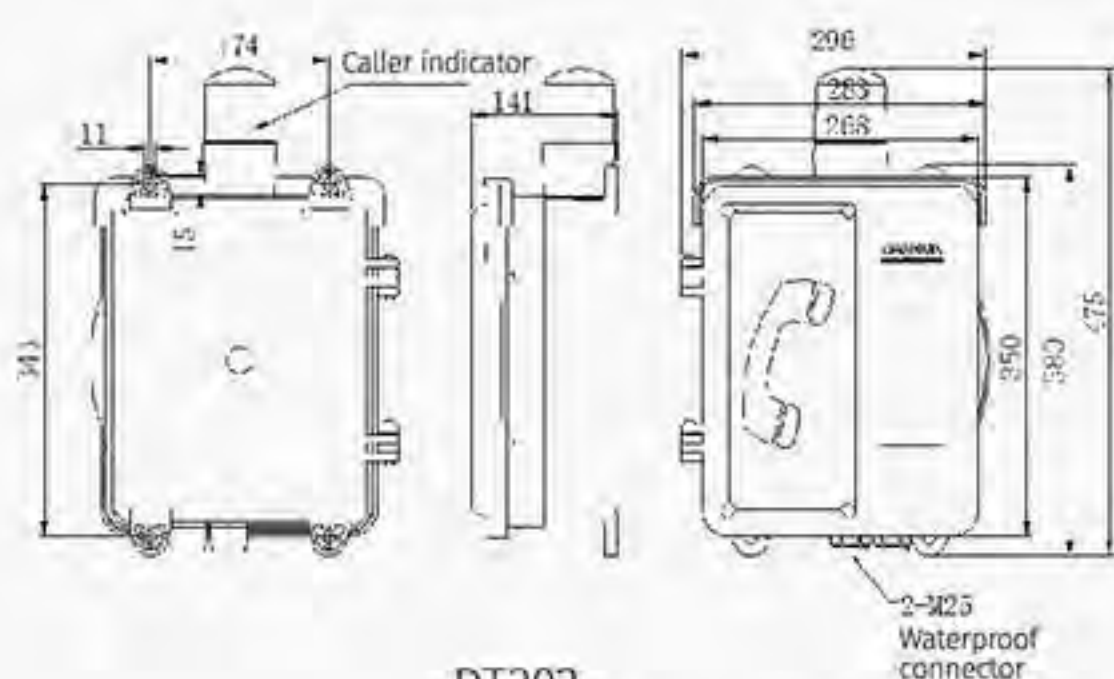
- Use more than 1.5mm<sup>2</sup> non-shielded cable for system networking, easy installation and retrofitting.
- OFDM jamming technology ensures EMC and anti-jamming capability.
- PCM digital processing technology, using lossless data compression, no sound quality loss, clear voice transmission.
- Support three parties calling/ broadcasting in the sometime.
- Point-to-point, cascade, distributed network connection is optional.
- Dialing function achieve directional communication.

## Mounting dimension

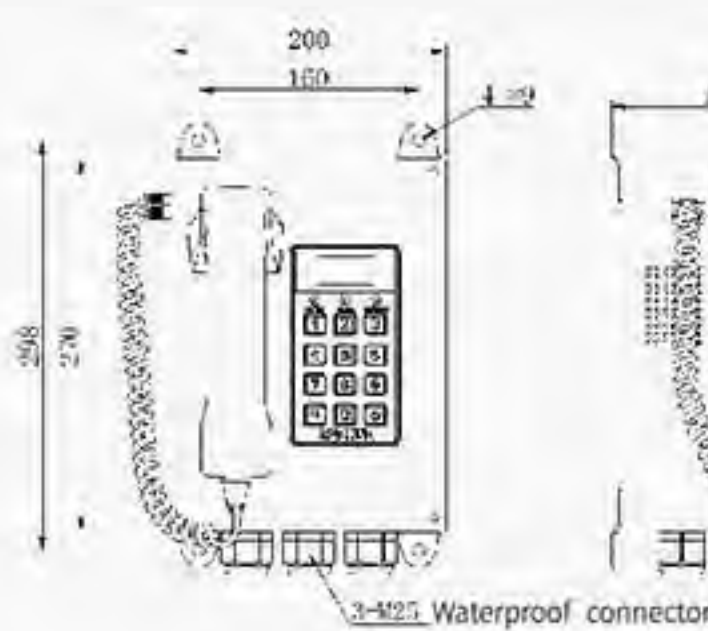
unit: mm



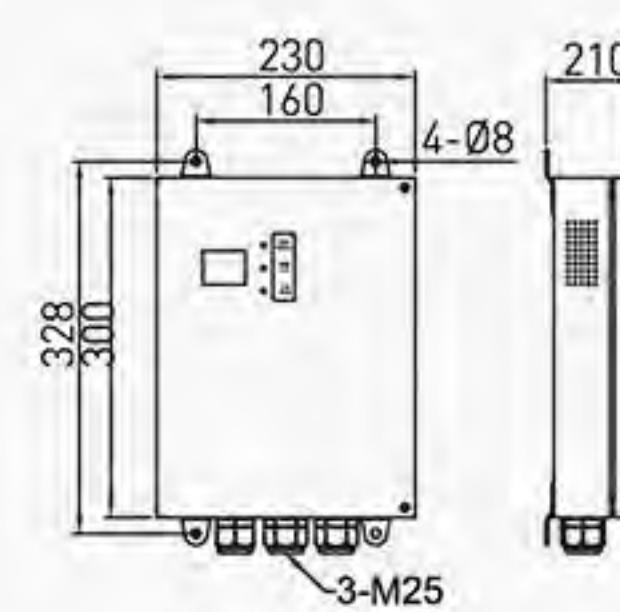
DT201



DT202



DT203



DT004

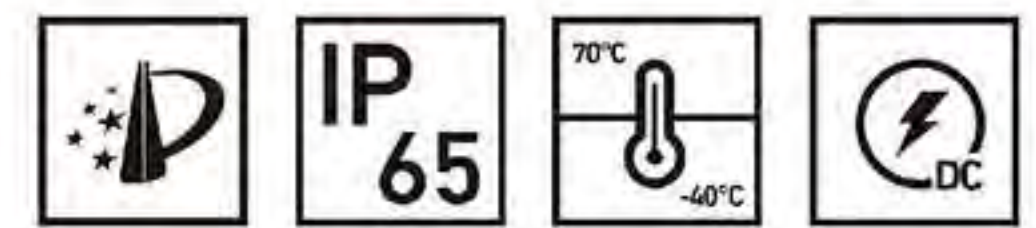


## Specification

Operating voltage	DC24V
Power supply voltage	AC110V±10% / AC220V±10% (Power supply DT004)
Communication distance	Set the DT004 Power supply as circle center, maximum radius is 400m
Power	System power comes from DT004 power supply
Backup power	DC24V (provide by customer)
Networking quantity	Standard for 8 stations, maximum 20 stations
Running mode	Long-term
Operating temperature	-30°C ~ +70°C
Relative humidity	10% ~ 95% (non condensing)
IP rate	IEC60529 IP65 (Outdoor station DT202)
Material, Weight	DT201 ABS 1.9kg DT202 PC/ABS 3.9kg DT203 Cold rolled steel/ powder coating 4.9kg DT004 Cold rolled steel/ powder coating 3.8kg



# VoIP Paging Intercom System DT80



## Products description and application

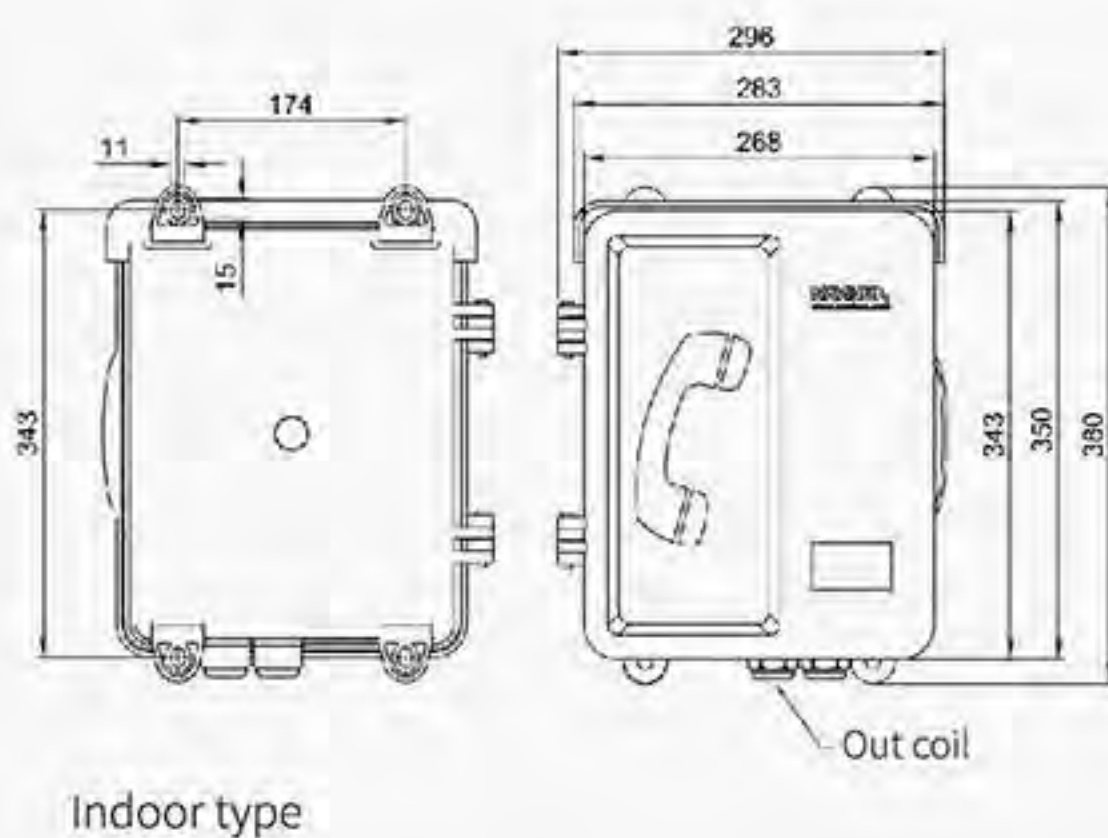
DT80VoIP paging and intercom system is digital VoIP telephone devices, adopts VoIP solution, much reliable and durable. Hand-free adopts digital duplex type, voice clear. System easy to use, low power consumption.

## Features

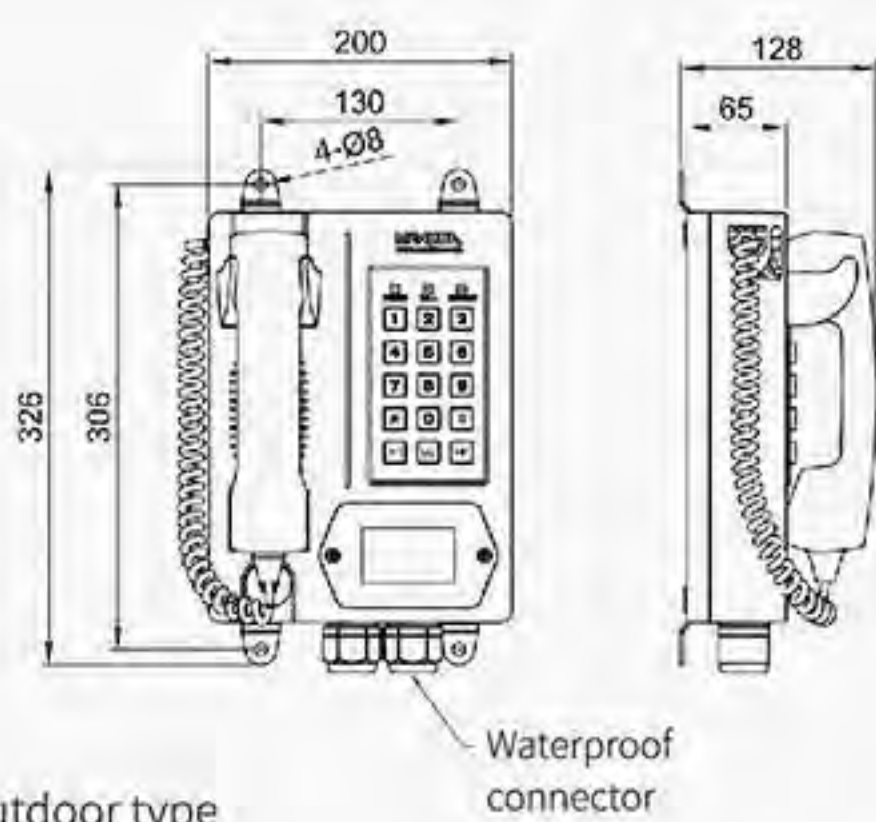
- Support dial function, comes with warning beacon.
- Broadcasting to whole network stations via server, maintain paging function.
- Communicate with each station in the same network, long communication distance.
- Keypad has One-touch speed dial button, One-touch call all stations and Hand-free call can be set.
- Adopt SIP2.0, standard IP communication protocol
- Interface using Fibre-optic/Network cable, communication distance up to 20Km.
- External connect two 25W loudspeaker is available.

## Mounting dimension

unit: mm



Indoor type



Outdoor type

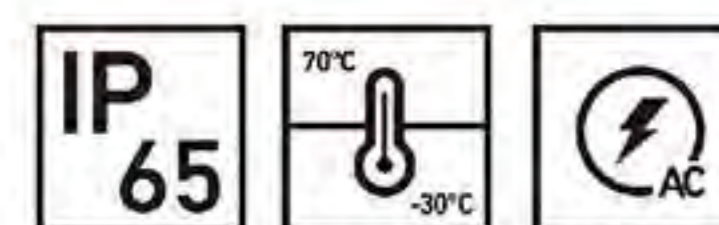


## Specification

Communication protocol	RCP/RTCP/S RTP	Speaker	One ( XH2.54 needle )
Protocol	RTP	External loudspeaker box	Two ( 3.96mm needle )
CODEC	G.729、 G.723、 G.711、 G.722、 G.726	Power supply	DC24V or AC220V
Amplifier	2.4W	Recommended cable	2 x 1.5mm <sup>2</sup>
Volume	Adjustable	Operating temperature	-40°C to 70°C
Full Duplex Service	Support (AEC)	Relative humidity	10% -95%
DSS button	Two or Three	Storage temperature	-40°C ~ 80°C
Indicator	Three	Dimension	225x130x47mm (Indoor type) 186x111x38.5mm (Outdoor type)
Microphone	One ( XH2.54 needle )		



# Crane Access Control System FS01



## Products description and application

FS01 crane access control system contains Identification, permission setting, access control, remote control, remote update functions. Applied for Ports, Machinery, Metallurgy, Chemical plants, Warehouse, etc.

## Features

- Easy networking, system adopts Ethernet technology, flexible networking onsite.
- Machineries operating status be displayed on central control room server.
- Using industrial computer, running WINDWOS system, ease to operate.
- LED signal display, 30 meters visual distance.
- Ask, Answer, Permit management principle, convenient for personnel management.
- Software and program can be remote updated.



FS011B



FS015A



FS011A



FS013W



FS012B



LD011A



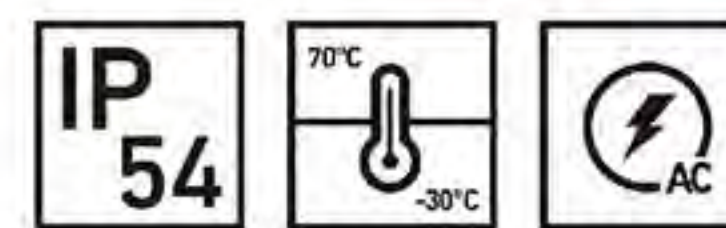
FS014B

## Specification

Model	Description	Location
FS011A crane gate control unit	Open door with card, Electronic listing	Crane gate side
FS011B Electric house control unit	Electronic listing	Electric House
FS012B Operator's cabin control unit	Electronic listing and confirmation	Operator's cabin
FS013W Power supply	System power, signal switch,	Crane gate
FS014B Fiber switch	gate control	Crane gate, Operator's
FS015A IO module	Fiber network port signal switch	cabin, Electric House
LD011A Signal display	Connect PLC module	Electric House
	Billboard	Outdoor



# Power Charging Cabinet ZD204



## Products description and application

Designed as charging equipment for rechargeable battery of port machinery (Quay cranes, Yard cranes), special for charging battery of diesel engine.

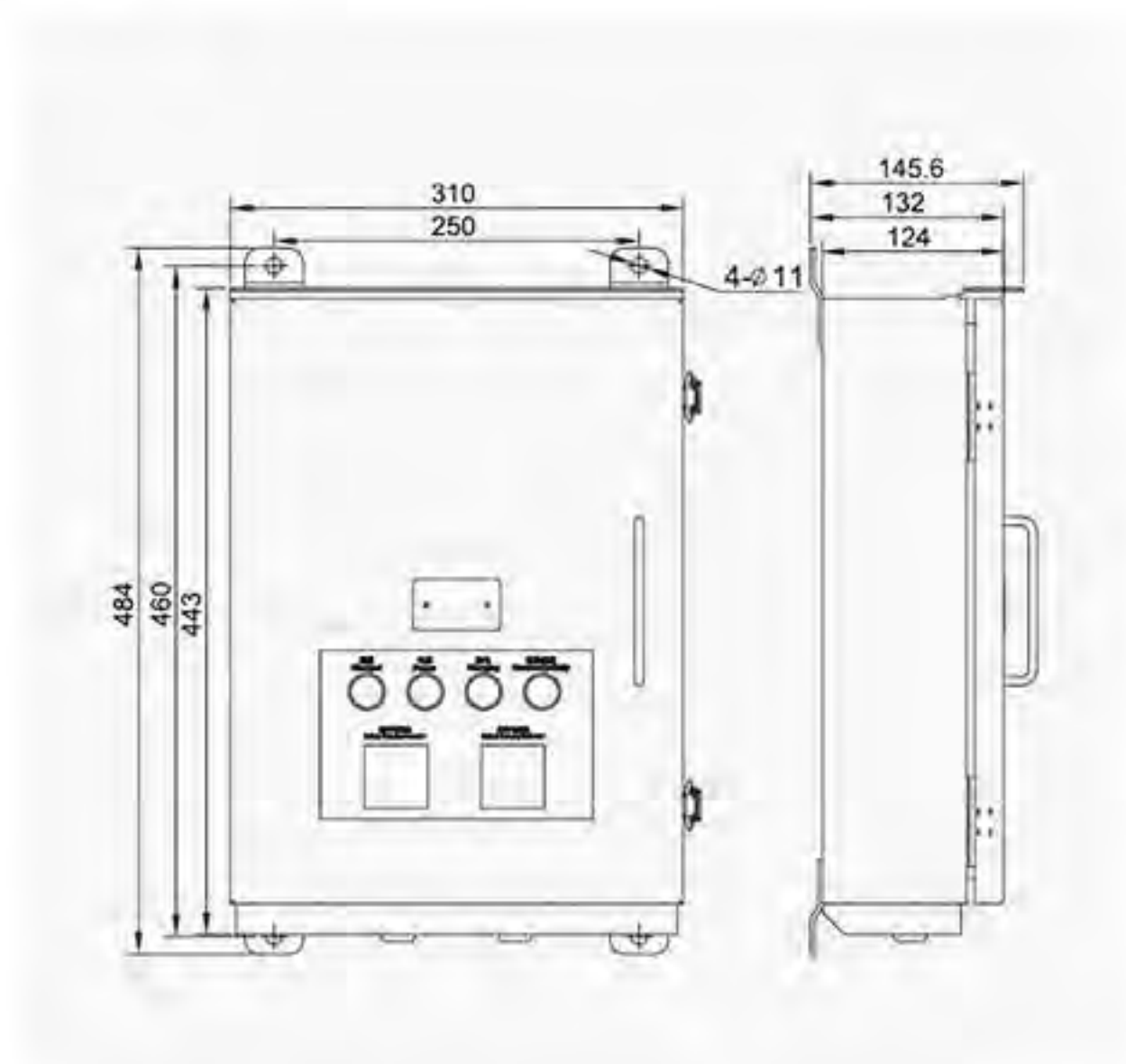
## Features

- High frequency PWM Pulse Width Modulation technology.
- Three stage automatic charging process, constant voltage charging, constant current charging, float charging.
- Modular design, easy maintenance.
- Over temperature protection and over current protection.
- Lightning surge protection and short circuit protection.
- Reverse connect protection.



## Mounting dimension

unit: mm



## Specification

Rated voltage	AC110V-AC120V/AC220V-AC240V/AC460V	Body color	Grey RAL7038
Output current	DC24V/20A (suit for 24V/200AH battery)	Operating temperature	Ta-30 °C ~+70 °C
Frequency	50Hz-60Hz	IP rate	IEC60529 IP54
Relative humidity	10% ~ 95% RH (non condensing)	Weight	11.4kg
Body material	Cold rolled plate with powder coating		